

**Charlie**

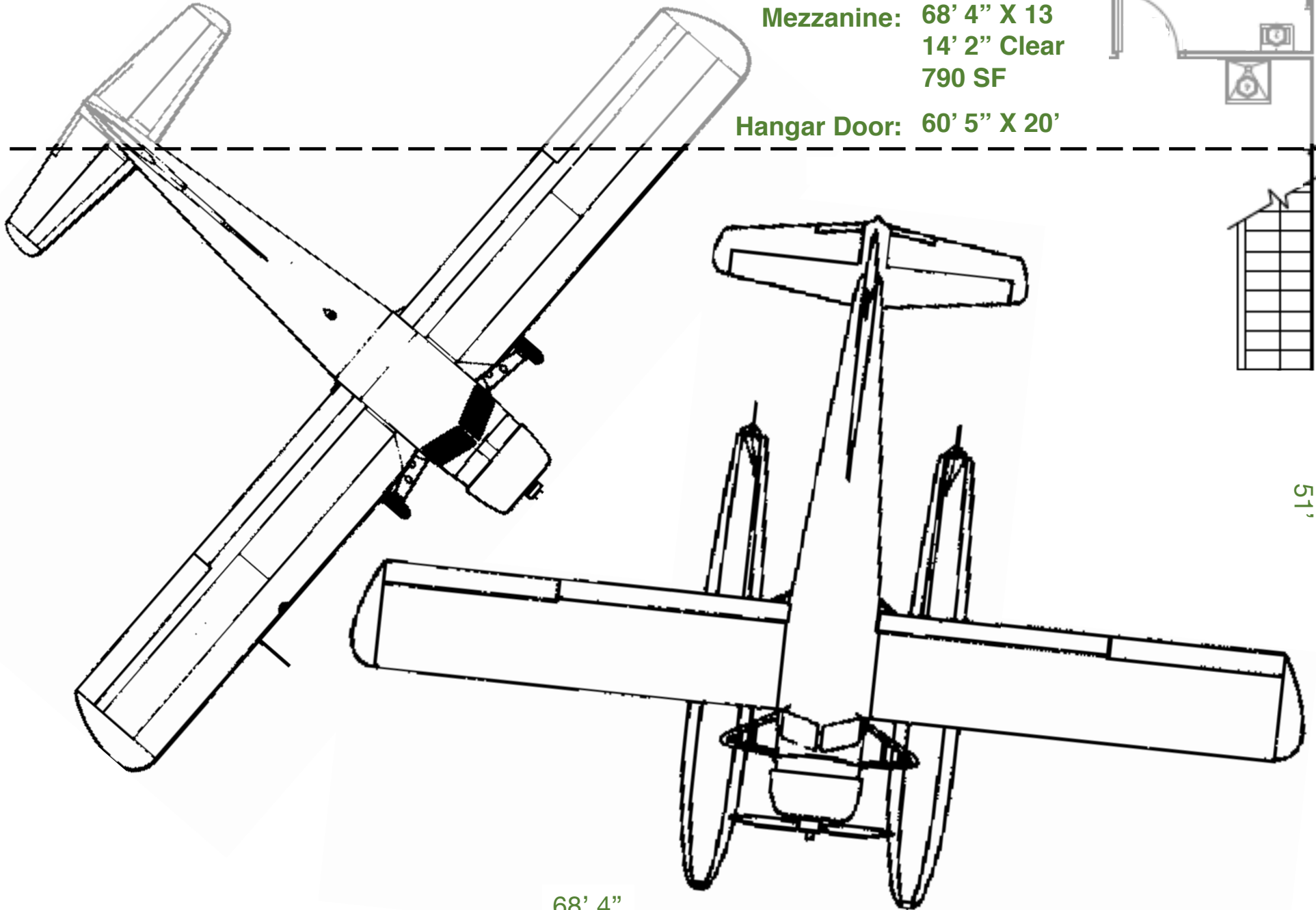
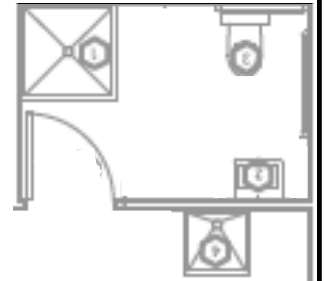
**\$986,262**

68' 4"

**1<sup>st</sup> Floor: 68' 4" X 51'  
3,232 SF**

**Mezzanine: 68' 4" X 13'  
14' 2" Clear  
790 SF**

**Hangar Door: 60' 5" X 20'**



51'

51'

68' 4"